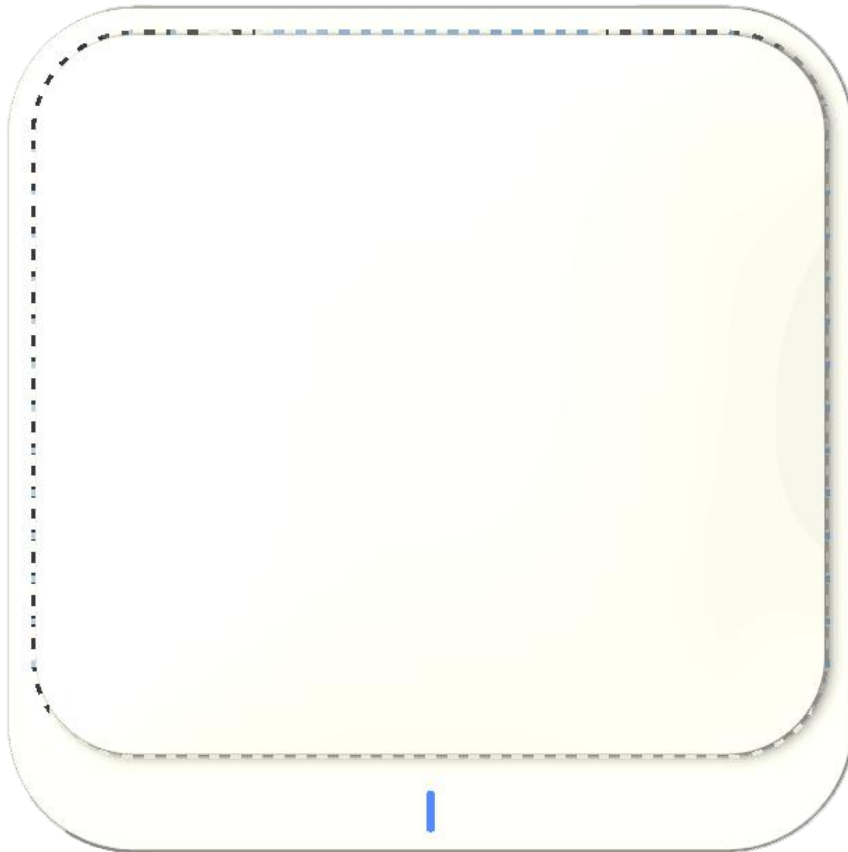


11ac 1300Mbps Wave2 Ceiling Wireless AP

Model: XD5200



Description:

XD5200 is an MU-MIMO 11ac Wi-Fi standard Qualcomm Chipset high power industrial Ceiling Wireless Access Point support Wave2.0.

Combined 1300Mbps Wi-Fi speed over 2 radios: 2.4GHz(400Mbps)+5GHz(900Mbps)), equipped Gigabit WAN & LAN port, fast Ethernet data rate make more than 100 end users can access into XD5200 with Gigabit Ethernet, make them to enjoy HD movies, streaming, online gaming, wireless security and other bandwidth-intensive tasks, widely be used in school, hospital, hotel, office, shipping mall...

High Power for more range and stable signal

Designed in Power Amplifier on PCB board, the power can be 300mW high power, 3dBi MIMO high gain antenna, together with Ceiling mount, greatly increase the wireless range and supply the stable Wi-Fi signal for users.

Metal Case, perfect heat dissipation to extend the working life

The bottom shell with metal shell, improved the heat dissipation function, make it work as normal in -30° C to 70° C, extend the device working life.

MU-MIMO, Wave2.0 Technology

Comply with Wave2.0 Technology, it adopt 256QAM modulation, support MU-MIMO (Multi-User Multiple-Input Multiple-Output), 8 Spatial Streams, greatly to improved the communication efficiency.

Beamforming, DFS, Airtime Fairness, Band Steering, OFDM support

XD5200 support many functions like Beamforming, DFS(Dynamic Frequency Selection), Airtime Fairness, Band Steering (5G Prior), OFDM(Orthogonal Frequency Division Multiplexing), RF Power adjustable to improve the performance and Wi-Fi stability.

Power over Ethernet and DC Power available

XD5200 has integrated IEEE802.3at Power over Ethernet (PoE), for easy installation and lower cost. What's more, it support DC input if need, So it can be installed in areas where power outlets are not readily available, eliminating the mess of altering existing network infrastructure.

Access Controller System & Cloud Management System

With Access Control System, plug and play, zero configure the AP's IP address, ESSID, Channel, Password, upgrade firmware, backup and restore....

What's more, the AC controller with local authentication function, easy to do advertisement and captive portal authentication like Member/WeChat/SMS login.

Besides that, administrator can remote manage through AC controller or cloud server at any place/time, simple and cost save in maintenance.

Main Features:

- Comply with IEEE 802.11ac/b/g/n, dual band, 1300Mbps Data Rate
- 1*10/100/1000Mbps WAN Port, 1*10/100/1000Mbps LAN Port, faster Ethernet.
- 300mW high power, build in 3dBi MIMO antenna, stronger signal strength, more wireless coverage, 32M Flash, 512M DDR3 RAM, more user, more stable
- Support active IEEE 802.3at 48V PoE standard
- Support SSID broadcasting, Multi SSID up to 12 (4 SSID in 2.4GHz, 8 SSID in 5GHz)
- Support Gateway (PPPOE, static IP, dynamic IP) , Wireless AP, Repeater, WISP operation mode
- With function of build in firewall, IP filter, URL filter and MAC filter
- Comply with IEEE 802.3az standard, RF power adjustment and frequency analyzer for better application in different environment
- Support DDNS, VPN pass through, Port forwarding and DMZ host ,support WMM.

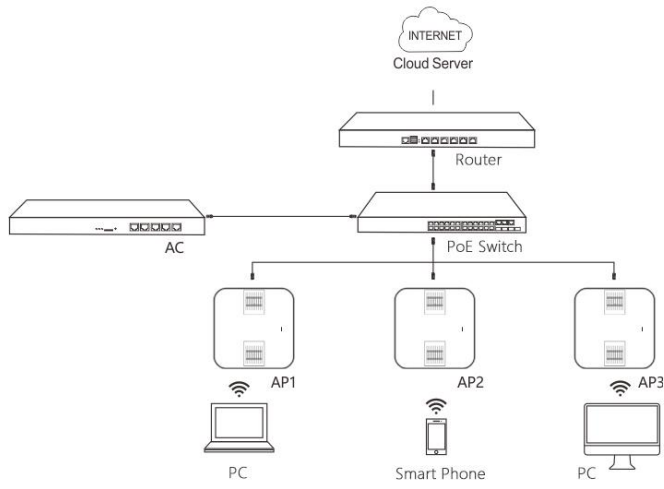
- Comply with ISO9001
- En/IEC 60950 ,EN300328-2 ,CE and FCC ,WI-FI Alliance.
- Support 64/128-bit WEP security, EAP, 128bit WPA (TKIP/AES) security

Product Spec.:

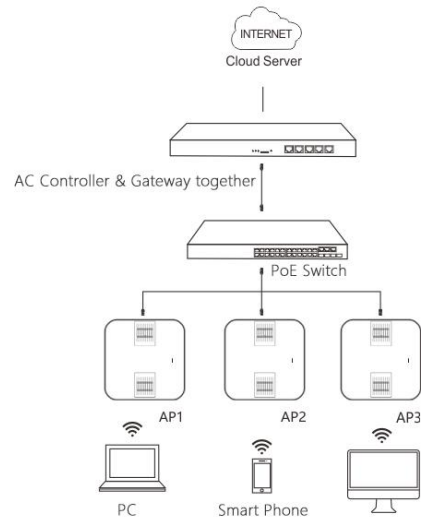
Hardware:					
Chipset	Qualcomm IPQ4019+QCA8075				
Standard	802.11ac/b/g/n, MIMO technology				
Memory	512MB DDR3 RAM				
Flash	32MB				
Interface	1 * 10/100 /1000Mbps RJ45 WAN Port				
	1 * 10/100 / 1000Mbps RJ45 LAN Port				
	1 * Reset button, press 10 seconds to revert to default setting				
Antenna	Build in 3dBi MIMO 2.4G Antenna , 5DBI MIMO 5.8G Antenna				
Power consumption	48V PoE<30W				
Size	198mm X 32mm				
RF Data					
Frequency	2.4G:802.11b/g/n: 2.4GHz - 2.484GHz				
	5GHz:802.11a/n/ac MIMO: 5.150GHz~5.850GHz				
Country code	FCC、IC、ETSI、MCK、MCK1、MCK2、MCK3、NCC、RUSSIAN、CN				
Modulation	OFDM = BPSK,QPSK, 16-QAM, 64-QAM, 128-QAM, 256-QAM				
	DSSS = DBPSK, DQPSK, CCK				
Throughput	1300Mbps				
2.4G RF Power (IPQ4019)	802.11b	11M	23±2dBm	1M	25±2dBm
	802.11g	54M	22±2dBm	6M	24±2dBm
	802.11n HT20	MCS7	21±2dBm	MCS0	23±2dBm
	802.11n HT40	MCS7	21±2dBm	MCS0	23±2dBm
5G RF Power (IPQ4019)	802.11a	54M	19±2dBm	6M	21±2dBm
	802.11n HT20	MCS7	18±2dBm	MCS0	20±2dBm
	802.11n HT40	MCS7	18±2dBm	MCS0	20±2dBm
	802.11ac HT80	MCS9	17±2dBm	MCS0	19±2dBm
2.4G Receive Sensitivity	802.11b	11M	-85dBm	1M	-94dBm
	802.11g	54M	-72dBm	6M	-90dBm
	802.11n HT20	MCS7	-70dBm	MCS0	-88dBm
	802.11n HT40	MCS7	-68dBm	MCS0	-86dBm
5G Receive Sensitivity	802.11a	54M	-72dBm	6M	-90dBm
	802.11n HT20	MCS7	-70dBm	MCS0	-88dBm

	802.11n HT40	MCS7	-68dBm	MCS0	-86dBm
	802.11ac HT80	MCS9	-58dBm	MCS0	-85dBm
EVM	2.4G EVM: 802.11b: ≤-10 dB; 802.11g: ≤-25 dB; 802.11n: ≤-28dB 5G EVM: 802.11a: ≤-25 dB; 802.11n: ≤-28 dB; 802.11ac: ≤-32 dB				
PPM	±20ppm				
Max Users	128				
Firmware Features:					
Operation mode	Wireless AP, Gateway, WISP, Wi-Fi Repeater				
WAN Type	Dynamic IP/Static IP/PPPoE/L2TP(Dual Access) /PPTP(Dual Access)				
Wireless Security	64/128-bit WEP, WPA / WPA2, WPA-PSK/ WPA2-PSK encryption				
SSID	Multiple SSID (4 SSID for 2.4G, 8 SSID for 5.8G)				
Firewall	DoS, SPI Firewall, IP Address Filter/MAC Address Filter/Domain Filter IP and MAC Address Binding				
Protocols	IPv4				
Others:					
Package Contents	1300Mbps Dual Band wireless access point Ethernet Cable Quick Installation Guide Setting Accessory				
System Requirements	Microsoft Windows 98SE, NT, 2000, XP, Vista™ or Windows 7, Windows 8, MAC OS, NetWare, UNIX or Linux				
Environment	Operating Temperature: -20~55 °C Limit working temperature: -30~70 °C Storage Temperature: -40~70 °C Humidity: 5%~95% non-condensing				
Management	Firmware GUI , Remote Management, WLAN Controller, Cloud Management System				

Working Diagram



Connection Diagram 1



Connection Diagram 2